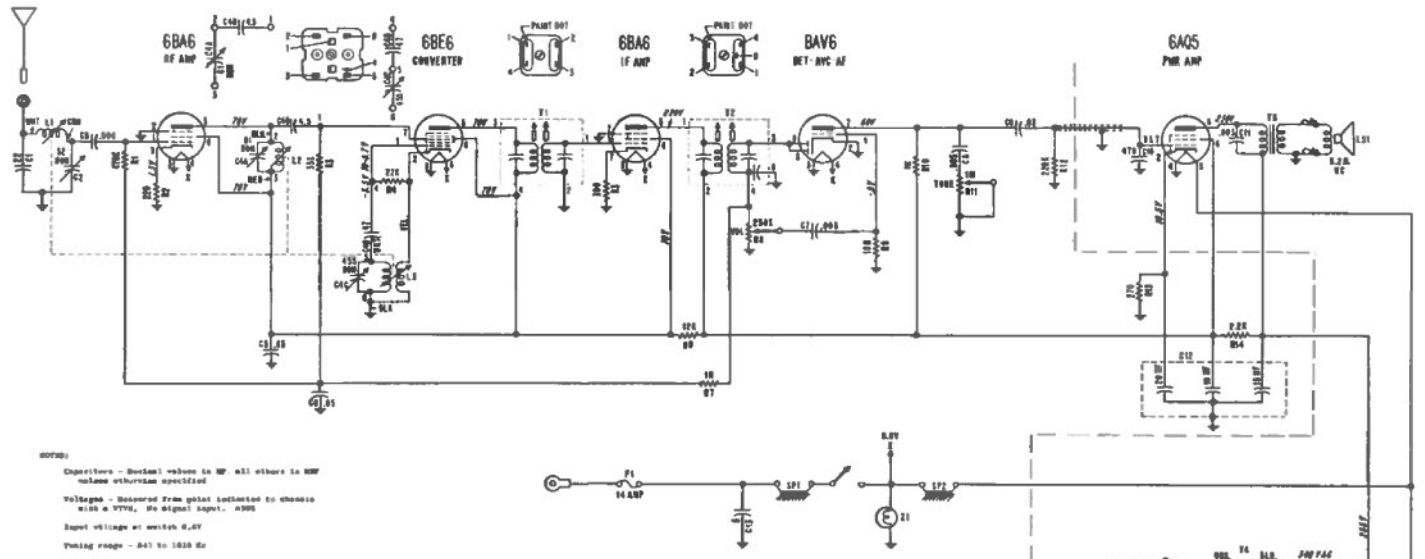
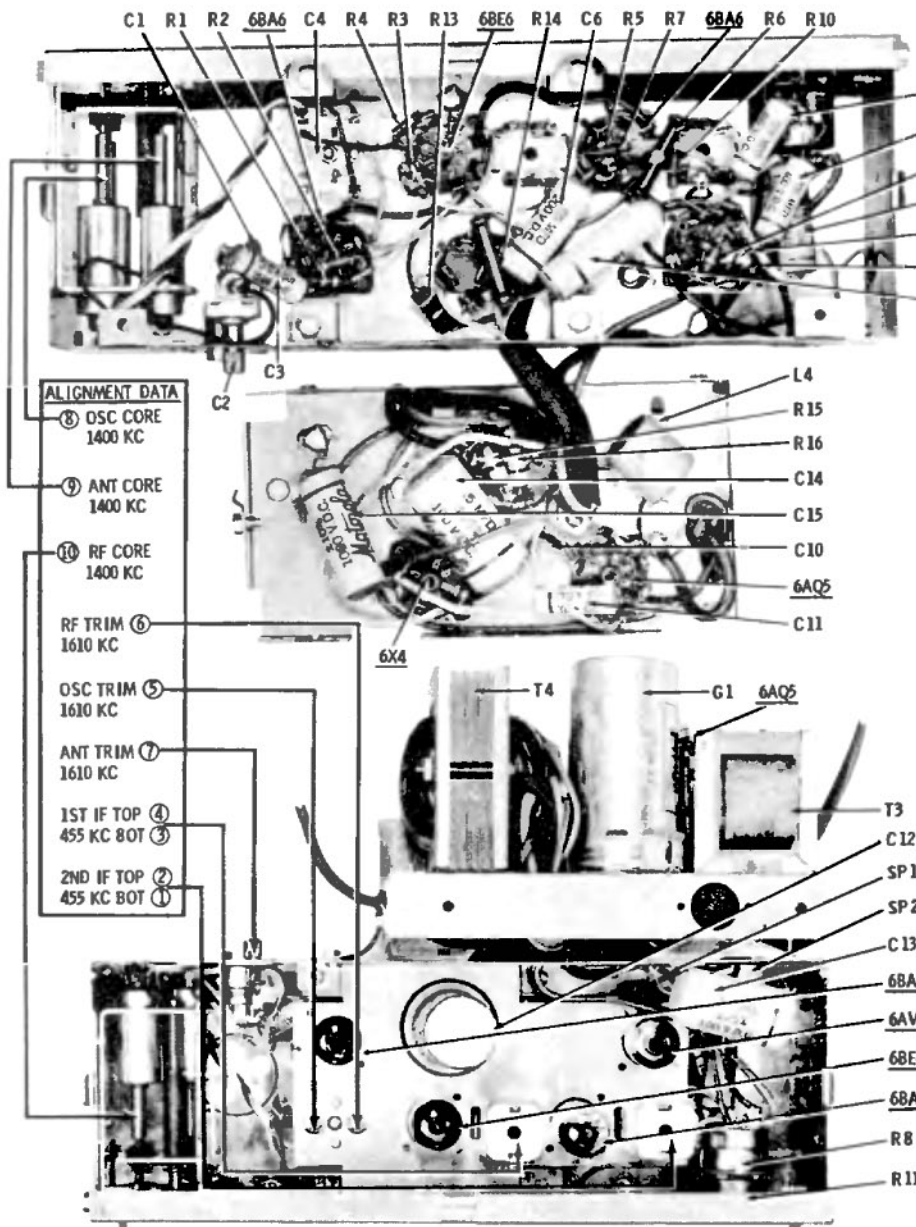


# MOTOROLA Models MoPar 613 used in Plymouth P26, P27, and MoPar 614 used in Dodge D55, D56.



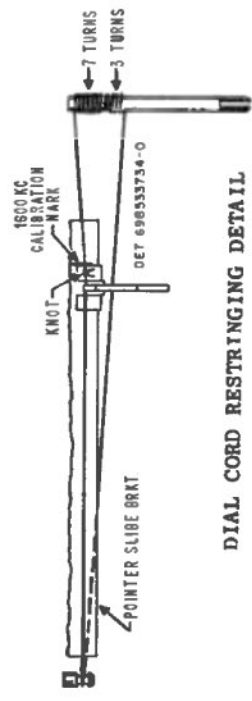
NOTE:  
Capacitors - Bureau values in MP, all others in MP  
unless otherwise specified  
Voltage - Measured from point indicated to chassis  
with a VTVM, 200 ohm input, 4000  
ohm impedance at switch 0.05  
Peak-to-peak - 40 to 1000 Hz  
17 - 610 Hz



- ALIGNMENT DATA**
- ⑧ OSC CORE 1400 KC
  - ⑨ ANT CORE 1400 KC
  - ⑩ RF CORE 1400 KC
  - RF TRIM ⑥ 1610 KC
  - OSC TRIM ⑤ 1610 KC
  - ANT TRIM ⑦ 1610 KC
  - 1ST IF TOP ④ 455 KC 80T ③
  - 2ND IF TOP ② 455 KC BOT ①



DUMMY ANTENNA DETAIL



DIAL CORD RESTRAINING DETAIL

ALIGNMENT ADJUSTMENT & PARTS LOCATION