

General Electric Co.

Model: X-317V

Chassis:

Year: Pre 1948

Power:

Circuit:

IF:

Tubes:

Bands:

Resources

[Riders Volume 15 - GE 15-40](#)

[Riders Volume 15 - GE 15-41](#)

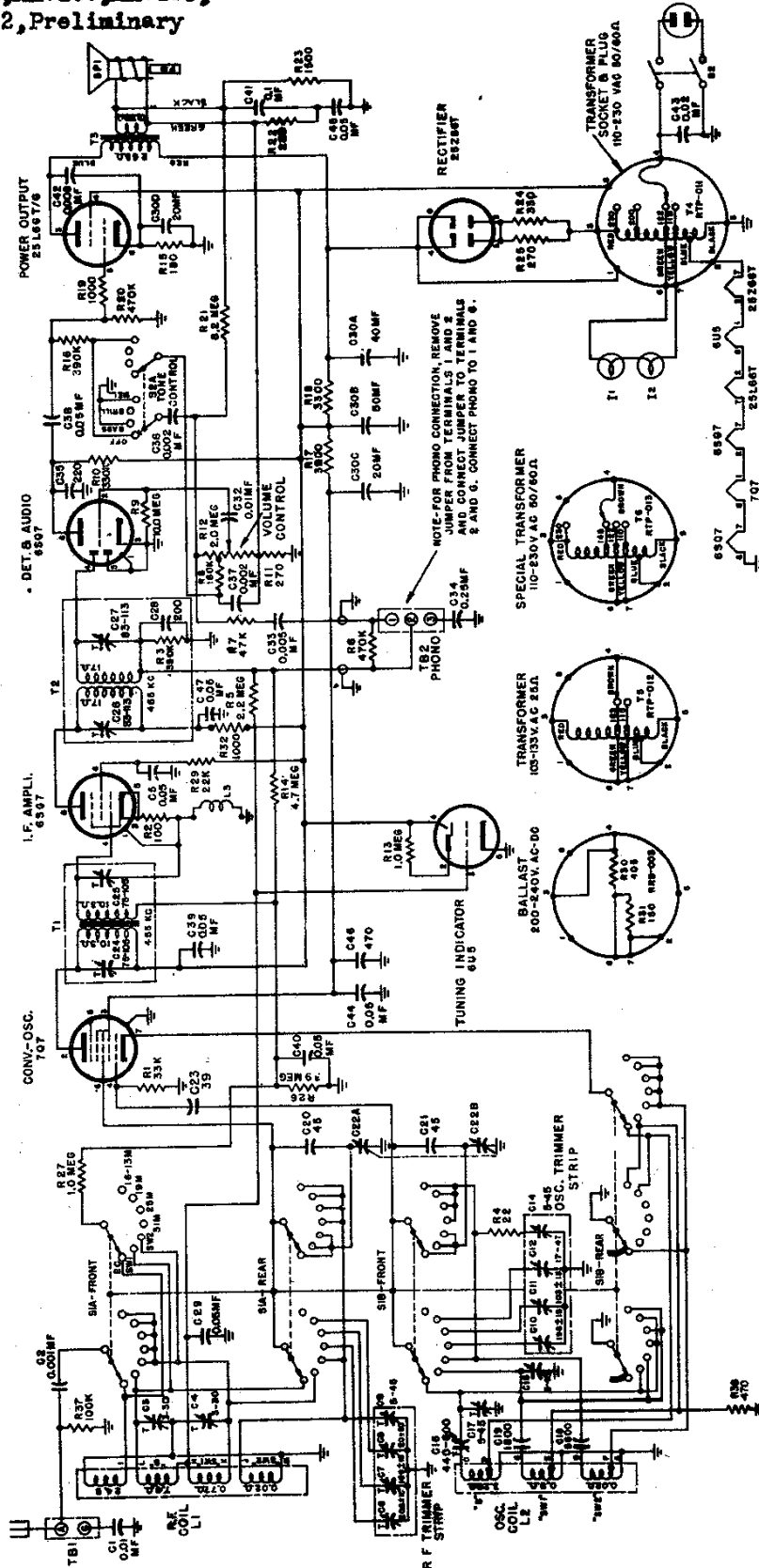
[Riders Volume 15 - GE 15-42](#)

[Riders Volume 15 - GE 15-43](#)

[Riders Volume 15 - GE 15-44](#)

MODELS X-317V, X317C,
X-317D2, XH713V, XH713C,
XH-713D2, Preliminary

GENERAL ELECTRIC CO.



IF PEAK 455 KC

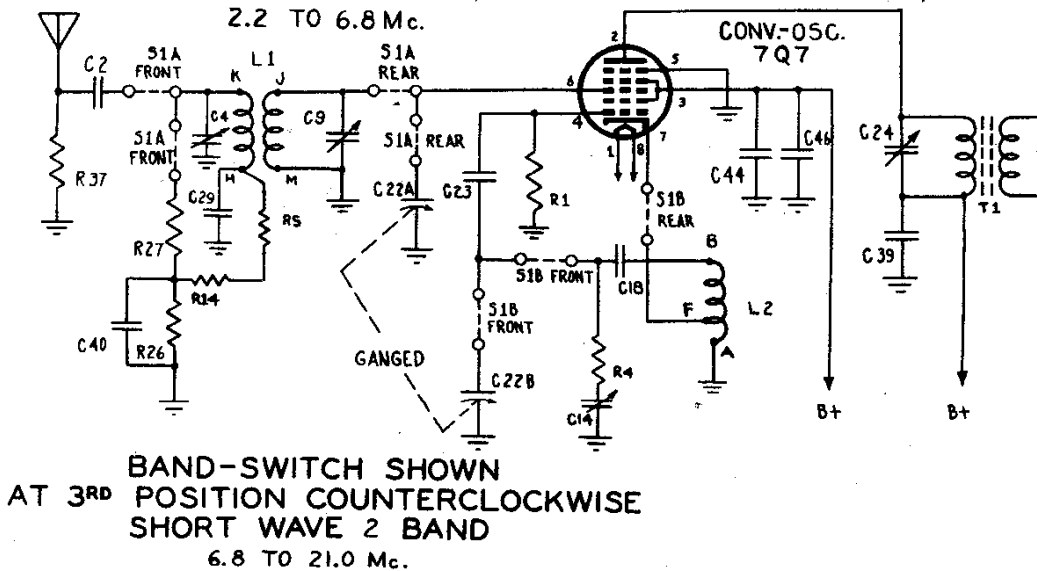
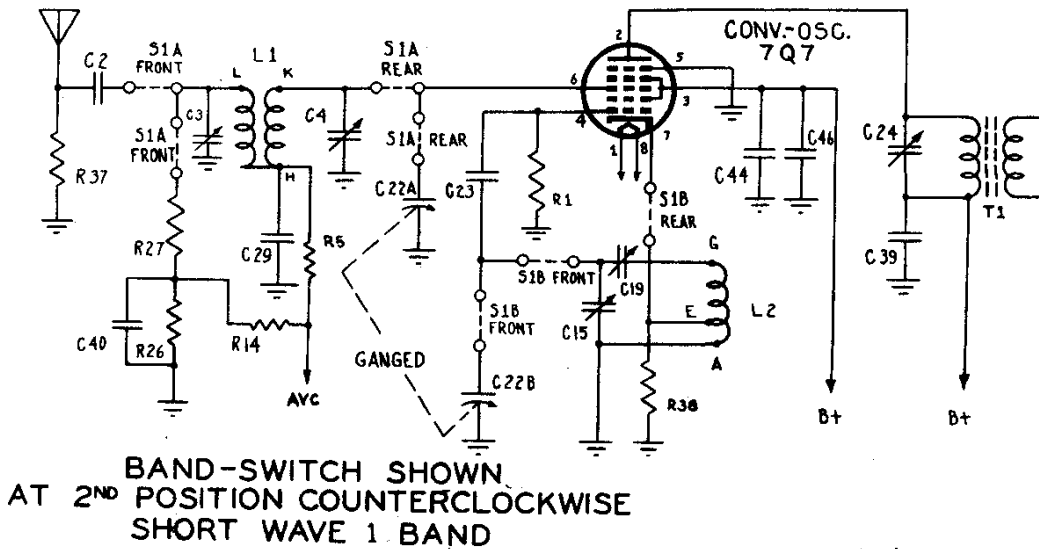
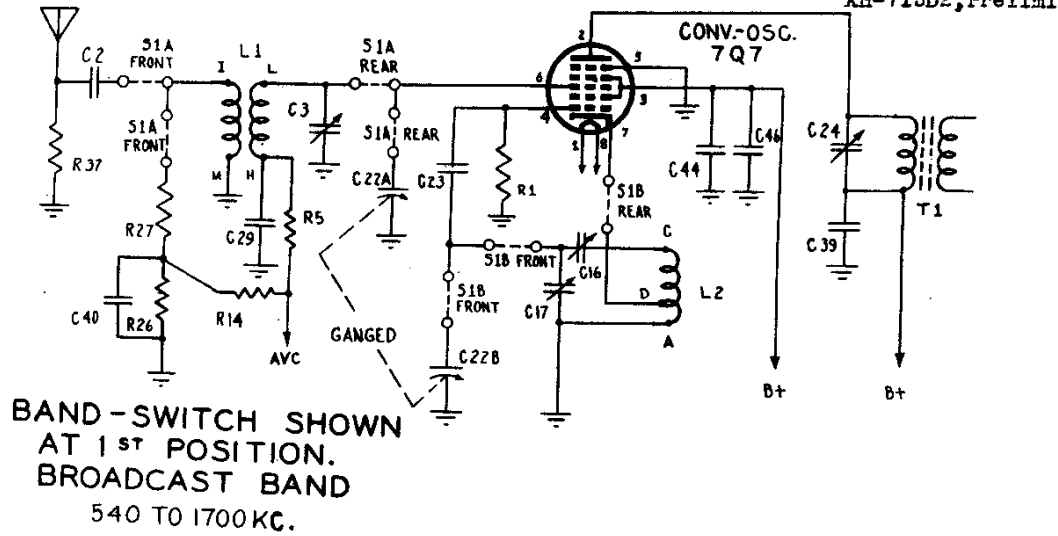
- (3) X317D2 230 V. AC-DC
- (6) XH713D2 230 V. AC-DC

- (2) X317C 25 cycle
- (5) XH713C 25 cycle

- (1) X317V Univ.
- (4) XH713V "

GENERAL ELECTRIC CO.

MODELS X-317V, X317C,
X-317D2, XH-713V, XH-713C,
XH-713D2, Preliminary

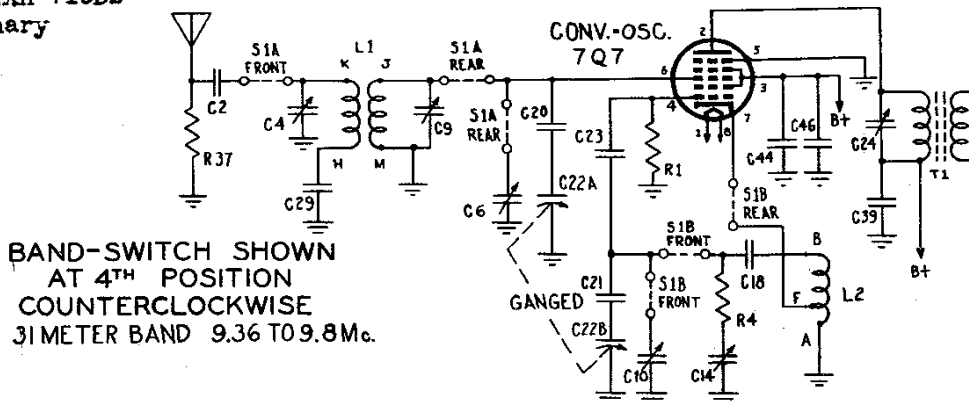


"clarified schematics"

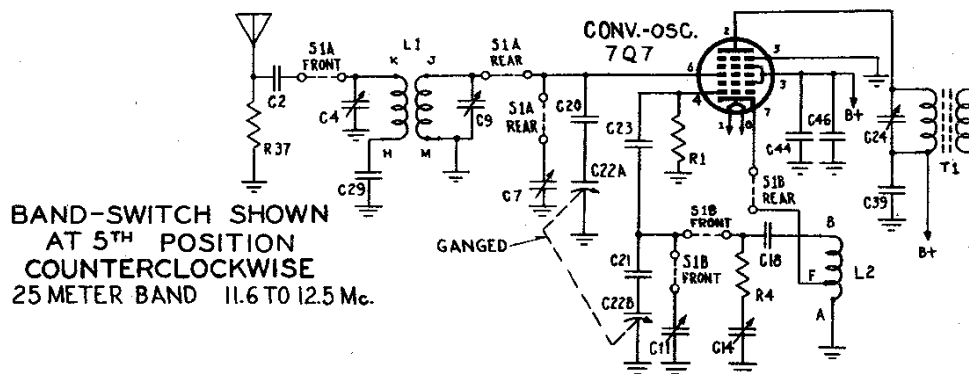
PAGE 15-42 G.E.

MODELS X-317V, X-317C,
X-317D2, XH-713V,
XH-713C, XH-713D2
Preliminary

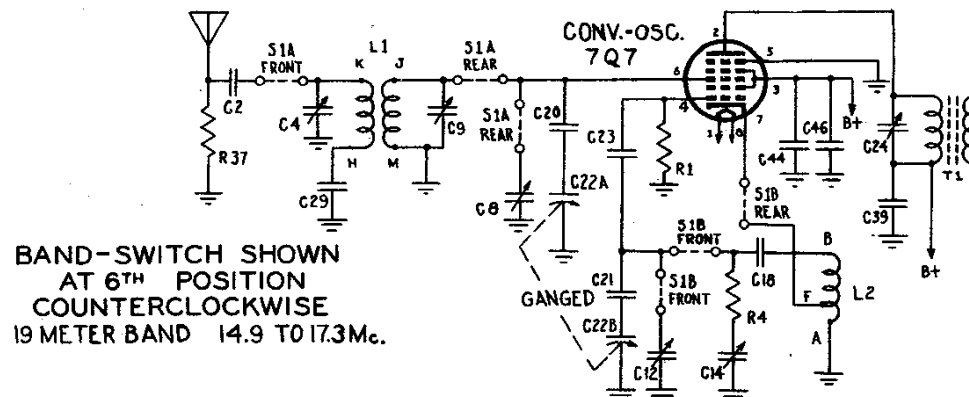
GENERAL ELECTRIC CO.



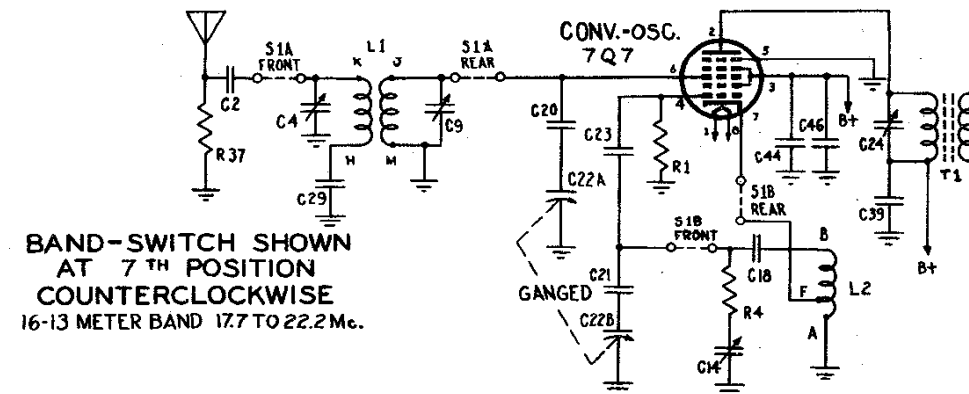
BAND-SWITCH SHOWN
AT 4TH POSITION
COUNTERCLOCKWISE
31 METER BAND 9.36 TO 9.8 Mc.



BAND-SWITCH SHOWN
AT 5TH POSITION
COUNTERCLOCKWISE
25 METER BAND 11.6 TO 12.5 Mc.



BAND-SWITCH SHOWN
AT 6TH POSITION
COUNTERCLOCKWISE
19 METER BAND 14.9 TO 17.3 Mc.



BAND-SWITCH SHOWN
AT 7TH POSITION
COUNTERCLOCKWISE
16-13 METER BAND 17.7 TO 22.2 Mc.

GENERAL ELECTRIC CO.

MODELS X-317V, X-317C
X-317D2, XH-713V,
XH-713C, XH-713D2,
Preliminary

CAUTION

ONE SIDE OF THE POWER LINE IS CONNECTED TO THE CHASSIS. AVOID ANY GROUND CONNECTIONS TO THE RADIO UNLESS AN ISOLATING TRANSFORMER IS USED IN THE POWER LINE.

ELECTRICAL CIRCUIT ALIGNMENT

The following equipment is required: (1) test oscillator with tone modulation, (2) a-c output meter, 1 1/2 volts full scale, (3) 0.05 mf. paper capacitor, (4) 200 mmf. mica capacitor, (5) insulated screwdriver.

PROCEDURE:

- (1) For i-f alignment, the chassis must be removed from the cabinet. For r-f alignment, the chassis should be firmly bolted in place in the cabinet.
- (2) Connect output meter across loudspeaker voice coil leads.
- (3) Set radio volume control to its maximum position and attenuate test oscillator signal output so that the output meter reading never exceeds 1 1/4 volts.
- (4) Connect the capacitor as listed in column 2, between the output "High Side" of test oscillator and the point of input specified.

TUBE COMPLEMENT:

- Converter-Oscillator..... Type 7Q7
- I-F Amplifier..... Type 6SQ7
- Detector-Audio..... Type 6SQ7
- Power Output..... Type 25L6GT/G
- Rectifier..... Type 25Z6GT
- Tuning Indicator..... Type 6U5
- Pilot Lamp..... (2) GE #44

ELECTRICAL RATING:

- "C" Voltage Rating
(Transformer RTP-012)... 103-133 v., 25-60 cycles
- "D2" Voltage Rating
(Ballast RRB-003)..... 210-240 v., a-c or d-c
- "V" Voltage Rating
(Transformer RTP-011)... 103-250 v., 50-60 cycles
- Wattage ("C" and "V" Ratings)..... 60 watts
- Wattage (D2 Rating)..... 100 watts

OPERATING FREQUENCIES:

- Broadcast..... 540-1700 kc
- Shortwave 1..... 2.2-6.8 mc
- Shortwave 2..... 6.8-21.0 mc
- 31 Meters..... 9.36-9.8 mc
- 25 Meters..... 11.6-12.5 mc
- 19 Meters..... 14.9-17.3 mc
- 16-13 Meters..... 17.7-22.2 mc
- I-F Amplifier..... 455 kc

ALIGNMENT CHART

Step	Test Osc. Connected to	Test-Osc. Setting	Band & Pointer Setting	Tune Trimmer for Max. Output
1	6SQ7 I-F grid in series with .05 mfd. cap.	455 KC	"BC" BAND 550KC	C26 and C27
2	7Q7 CONV. grid in series with .05 mfd. cap.	455 KC	"BC" BAND 550KC	C24 and C25
3	ANT. POST in series with 200 mmf.	580 KC	"BC" BAND 580KC	C16**
4	ANT. POST in series with 200 mmf.	1500 KC	"BC" BAND 1500KC	C17 (osc.) C3 (ant.)
5	R E P E A T S T E P 3			
6	ANT. POST in series with 200 mmf.	6.1 MC	"SW-1" BAND 6.1 MC	C15 (osc.) C4 (ant.)
7	ANT. POST in series with 200 mmf.	17.8 MC	16 METER 17.8MC	C14* (osc.)
8	ANT. POST in series with 200 mmf.	21.6 MC	16 METER 21.6MC	C9*** (ant.)
9	ANT. POST in series with 200 mmf.	15.22 MC	19 METER 15.22MC	C12* (osc.) C8*** (ant.) *
10	ANT. POST in series with 200 mmf.	11.8 MC	25 METER 11.8MC	C11* (osc.) C7*** (ant.)
11	ANT. POST in series with 200 mmf.	9.6 MC	31 METER 9.6MC	C10* (osc.) C6*** (ant.)

*Use minimum capacity peak if two are obtainable. ***Use maximum capacity peak if two are obtainable.
**Rock gang condenser for optimum peak.

SOCKET VOLTAGES

CONDITIONS OF TEST: 100 ohm/volt meter used. All measurements made to chassis. Values are +d-c unless otherwise noted.

"C" and "V" Rating - 110 volts on 110 v. tap. "D2" Rating - 220 volts a-c:

Pin Number	1	2	3	4	5	6	7	8
7Q7	12.6 AC	131	98	...	GND	...	0	6.3 AC
6SQ7	0	12.6 AC	1.0	...	1.0	82	18.9 AC	131
6SQ7	0	0	0	60	6.3 AC	0
25L6GT/G	43.9 AC	201	131	18.9 AC	10
25Z6GT	210 AC	216	210 AC	216

MODELS X-317V, X-317C,
X-317D2, XH-713V,
XH-713C, XH-713D2,
Preliminary

GENERAL ELECTRIC CO.

Cat. No.	Description	Model	Symbol	Cat. No.	Description	Model	Symbol	Quan. Used Per Set	Symbol
RAP-012	Cabinet back	All		RTP-012	Power transformer	2-5		1	T-5
RAV-004	Cabinet	1-2-3		RML-009	Power cord	All		1	
RAV-005	"	4-5-6		RMK-001	Cable (tuning eye)	"		1	R-13
RCE-026	Dry Electrolytic 40-300, 50420-250 20-25	All	C-30 a-b-c-d.	UGC-036	Capacitor (paper)	"	.002 mfd. 600 V.	2	C-36, 37
RGS-001	Line capacitor .02 mfd. 600 V.	All	C-43	UGC-039	"	"	.005 "	1	C-33
RCT-007	Tuning capacitor	"	C-22 a & b	UGC-040	"	"	.01 "	2	C-1, 32
RCT-030	Compensating capacitor 45 muf	"	C-20, 21	UGC-045	"	"	.1 "	7	C-5, 29, 38, 39, 40, 44, 45
RCK-004	Trimmer Strip (spread antenna)	"	C-6, 7, 8, 9	UGC-048	"	"	.001 "	1	C-41
RCK-005	"	"	C-3, 4	UGC-049	"	"	.25 "	1	C-2
RCK-006	"	"	C-10, 11, 12, 14, 15, 16, 17	UGC-050	"	"	.008 " 1000 V.	1	C-34
RDC-006	Drive cord assembly	"		UGU-036	Capacitor (mica)	"	220 mfd.	1	C-42
RDF-005	Felt washer	"		UCV-044	"	"	470 "	1	C-35
RDX-017	Knob & spring	4-5-6		UCV-2557	"	"	1800 "	1	C-46
RDK-018	"	4-5-6		UCU-2570	"	"	5600 "	1	C-19
RDK-019	"	1-2-3		UCW-1018	"	"	(ceramic) 39 mfd.	1	C-18
RDK-024	"	1-2-3		UCX-001	Cement for speaker	"		1	C-23
RDP-007	Pointer assembly	All		UCR-802	Speaker 8" PM	"		1	
RDS-010	Scale	1-2-3		UCX-004	Cone and voice coil assembly	"		1	
RDS-011	"	4-5-6		URD-009	Resistor (carbon) 22 ohm. 1/2 W.	"		1	R-4
RDX-011	Pilot light socket assembly	All		URD-025	"	"	100 "	1	R-2
RDX-016	Drum assembly	"		URD-033	"	"	220 "	1	R-22
RHC-001	Hairpin cotter	"		URD-035	"	"	270 "	1	R-11
RHM-002	Tuning shaft spacer	"		URD-041	"	"	470 "	1	R-38
RHM-019	Tuning eye thumb screw	"		URD-049	"	"	1000 "	1	R-19
RHX-004	Mounting plate & bearing assembly	"		URD-053	"	"	1500 "	1	R-23
RJC-003	Contact (female)	"		URD-081	"	"	22000 "	1	R-29
RJS-012	Mfg. plate	"		URD-085	"	"	33000 "	1	R-1
RJS-017	Tube socket	"		URD-097	"	"	100000 "	1	R-7
RJS-018	"	"		URD-103	"	"	180000 "	1	R-8
RJA-002	Antenna coil	"	L-1	URD-109	"	"	330000 "	1	R-10
RJC-007	Oscillator coil	"	L-2	URD-111	"	"	390000 "	2	R-3, 16
RLM-002	I. F. Neutralizing coil	"	L-3	URD-113	"	"	470000 "	2	R-6, 20
RMC-005	Clamp (scale)	"		URD-121	"	"	1 meg.	1	R-27
RMC-006	Clamp (tuning eye)	"		URD-129	"	"	2.2 "	1	R-5
RMS-006	Pilot light shield	"		URD-135	"	"	3.9 "	1	R-26
RMS-005	Spring (dial cord)	"		URD-137	"	"	4.7 "	1	R-14
RMT-006	Tuning shaft	"		URD-143	"	"	8.2 "	1	R-21
RMT-006	Pulley and pin	"		URD-145	"	"	10 "	1	R-9
RRB-003	Ballast tube	"		URE-031	"	"	180 ohm. 1 W.	1	R-15
RRC-007	Volume control	3-6		URE-063	"	"	3900 "	1	R-17
RST-008	Band change switch	All		URF-035	"	"	270 " 2 W.	1	R-25
RSX-004	Tone control and AC switch	"	S-2 a & b	URF-037	"	"	330 "	1	R-24
RTL-009	1st I. F. transformer	"	T-1	URF-061	"	"	3300 "	1	R-18
RTL-010	2nd "	"	T-2						
RTC-006	Output	"	T-3						
RTP-011	Power transformer	1-4							

(1) X317V Univ. (2) X317C 25 cycle
(4) XH713V " (5) XH713C 25 cycle
(3) X317D2 230 V. AC-DC
(6) XH713D2 230 V. AC-DC