

General Electric Co.

Model: A54

Chassis:

Year: Pre October 1936

Power:

Circuit:

IF:

Tubes:

Bands:

Resources

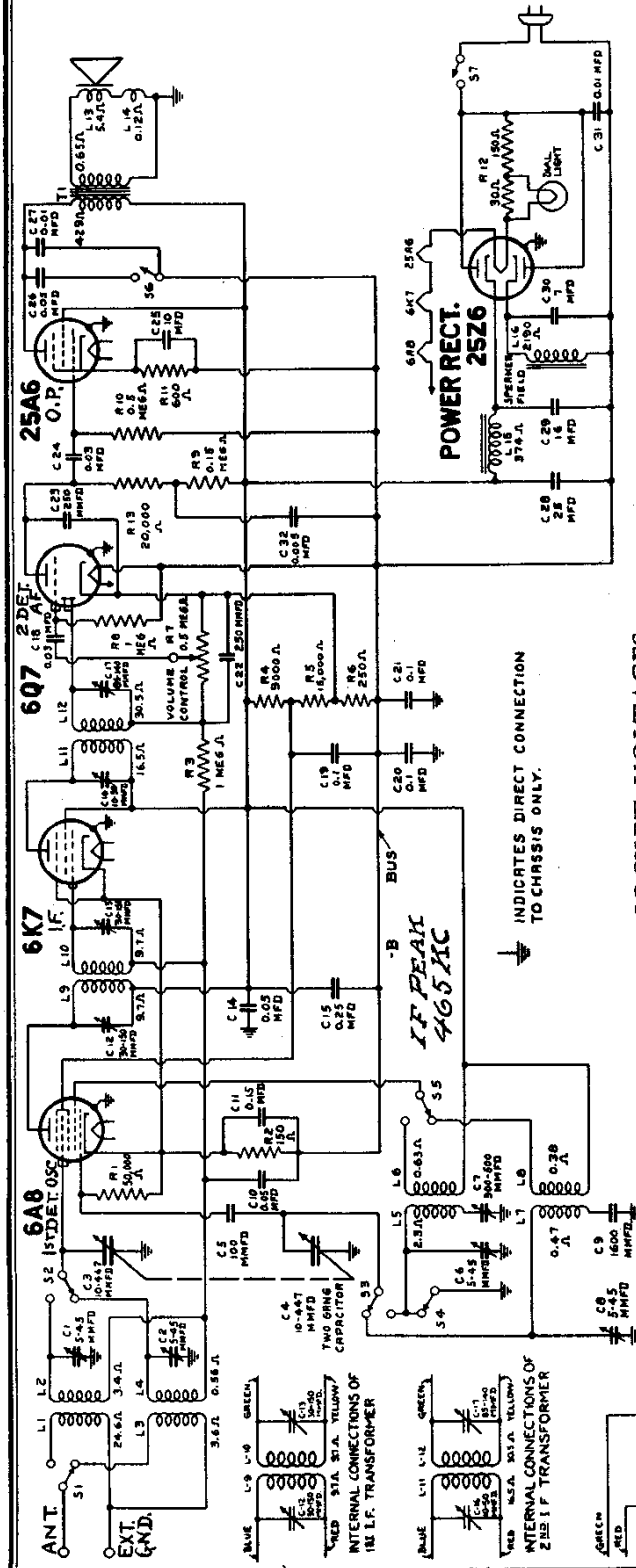
[Riders Volume 7 - GE 7-4](#)

[Riders Volume 7 - GE 7-5](#)

[Riders Volume 7 - GE 7-6](#)

GENERAL ELECTRIC CO.

MODEL A-54
Schematic
Voltage
Transformer Data



SOCKET VOLTAGES

	CATHODE TO "B"		SCREEN GRID TO "B"		PLATE TO "B"		PLATE CURRENT		HEATER	
	AC	DC	AC	DC	AC	DC	AC	DC	AC	DC
Power Supply	2.5	2.3	57	51	108	93	1.4	1.1	6.3	6.3
6A8 Converter	2.5	2.3	108	93	108	93	1.9	1.6	6.3	6.3
Oscillator	0.9	0.85			108	93	9.4	8.2	6.3	6.3
6K7 I.F. Amplifier	15	12.8	108	93	53	46	0.2	0.18	6.3	6.3
6Q7 Detector and A.F. Amplifier	126	109	108	93	98	86	19.4	17.3	25	25
25A6 Pwr. Amplifier	111	109			(120 (A.C.))	120	46	48.5	25	25
25Z8 Rectifier, "+B"						120	44	47		
Spkr. Field										

Measured at 120 volts 60 cycles or 120 volts D.C. supply. Dial 1000 kc. No signal input. Voltmeter 1000 ohms per volt; measurements taken on highest scale giving accurate readable deflection. For 25-cycle supply, reduce above values of plate and grid voltages about 5 per cent, except speaker field voltage, which is reduced approximately 18 per cent from its 60-cycle value.

INDICATES DIRECT CONNECTION TO CHASSIS ONLY.

INTERNAL CONNECTIONS OF DRY ELECTROLYTIC CONDENSER

INTERNAL CONNECTIONS OF DRY ELECTROLYTIC CONDENSER

