

General Electric Co.

Model: GB-400

Chassis:

Year: Pre 1949

Power:

Circuit:

IF:

Tubes:

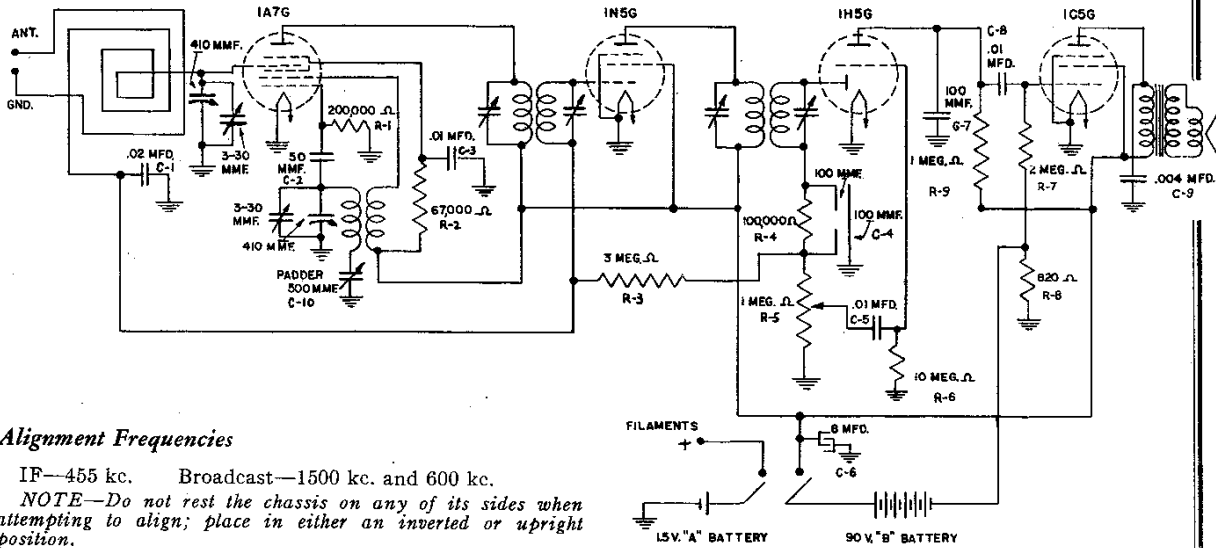
Bands:

Resources

Riders Volume 17 - GE 17-23

MODEL GB-400

GENERAL ELECTRIC CO.



Alignment Frequencies

IF—455 kc. Broadcast—1500 kc. and 600 kc.

NOTE—Do not rest the chassis on any of its sides when attempting to align; place in either an inverted or upright position.

IF Alignment

To align the IF, it will be necessary to remove the chassis from the cabinet. Connect an output meter across the voice coil. Set the volume control for maximum.

Adjust the test oscillator to 455 kc. and apply the signal to the control grid of the 1A7G tube through a .05 mfd. capacitor. Do not remove the grid lead from the 1A7G tube. Keep the test oscillator output as low as possible to give a readable output. Adjust all four IF trimmers for maximum output.

RF Alignment

The following alignment should be made with the receiver fastened in the case. Turn the receiver to its inverted position and make trimmer and padder alignments through the holes provided in the bottom of the case.

Connect the ground lead of the signal generator to the receiver chassis and the other lead to the receiver antenna terminal (located underneath cabinet). A dummy antenna consisting of a 250 mmf. capacitor in series with 200 ohms should be connected in the antenna lead of the signal generator. Apply a 600 kc. modulated signal and adjust the oscillator padder for a maximum output while rocking the gang condenser in vicinity of 600 kc. mark on the dial.

Using the same dummy antenna with a 1500 kc. signal generator input, adjust the oscillator trimmer for a maximum output. Now remove signal generator leads, tune in a station at approximately the 1500 kc. point on dial and then peak the RF trimmer for a maximum signal.



SERVICE DATA

Physical Specifications

Model.....	GB-400
Height.....	9 3/4 inches
Width.....	13 inches
Depth.....	8 1/4 inches

Tuning Control Drive Ratio..... 1:1

Batteries Required

- 1—1 1/2-volt "A" battery (Eveready No. 741 or equivalent).
- 2—45-volt "B" batteries (Eveready No. 762 or equivalent).

Tuning Frequency Range..... 540-1600 kc.

Alignment Frequency

IF.....	455 kc.
RF.....	600 and 1500 kc.

Loud-speaker—Permanent Magnet

Over-all diameter.....	5 inch
Cone Coil Impedance (400 cycles).....	3.0 ohms

Tubes

Converter and Oscillator.....	GE-1A7G
IF Amplifier.....	GE-1N5G
Detector and 1st Audio.....	GE-1H5G
Power Amplifier.....	GE-1C5G

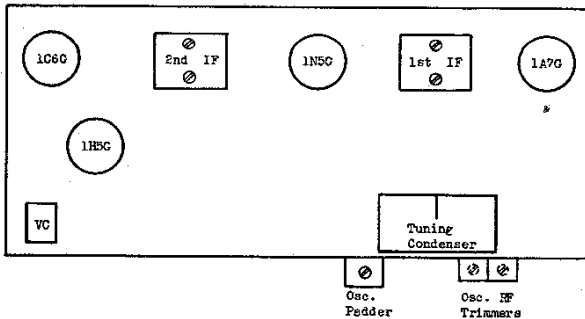


Fig. 1. Trimmer Location