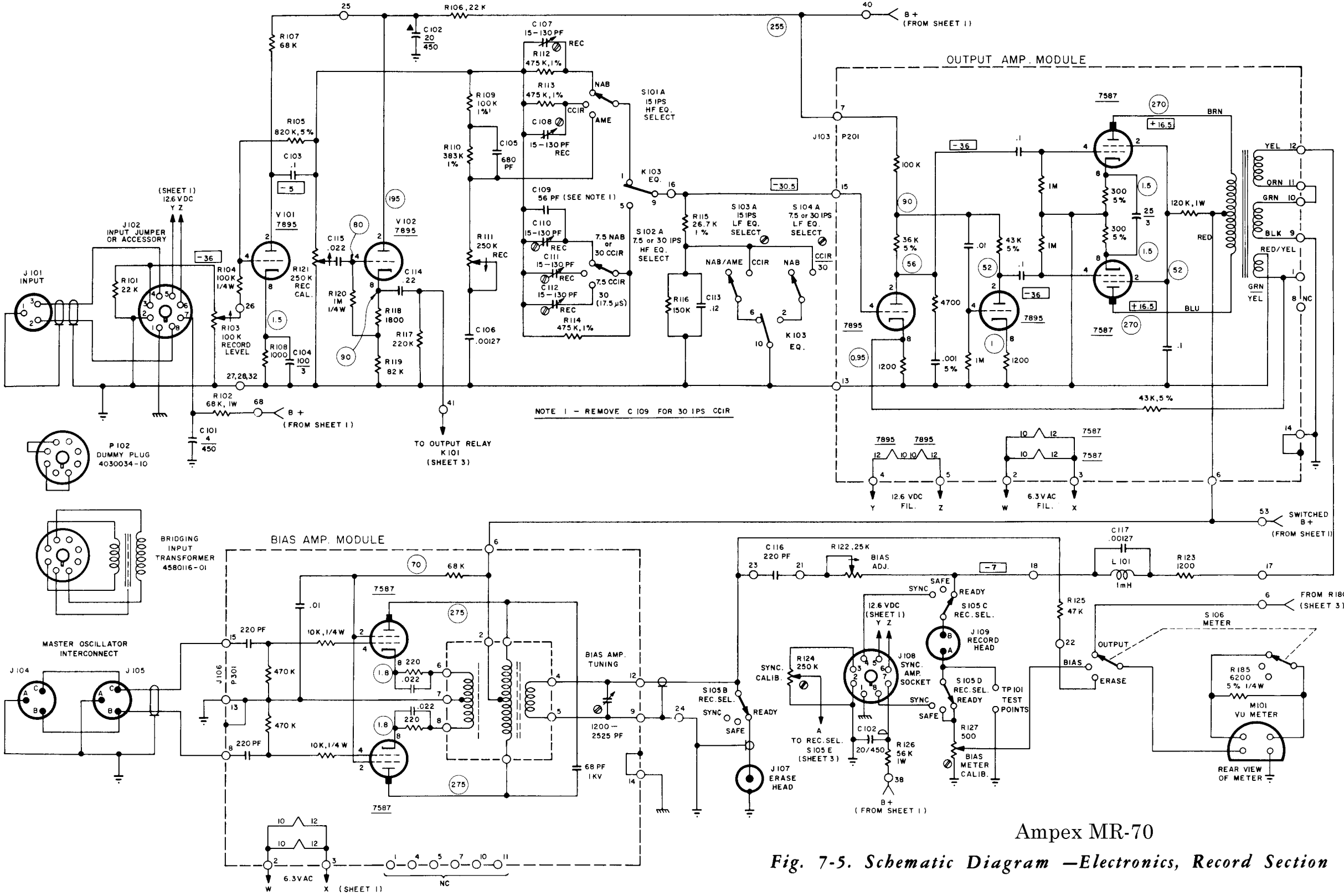


- NOTES -
- 1 - ALL RESISTORS IN OHMS, ± 10%, 1/2W UNLESS OTHERWISE SPECIFIED.
  - 2 - ALL CAPACITORS IN MFD, 400 VDCW UNLESS OTHERWISE SPECIFIED.
  - 3 - SWITCHES ARE SHOWN AS THEY FUNCTION NOT AS THEY ARE CONSTRUCTED.
  - 4 - DC VOLTAGES MEASURED FROM POINT TO GROUND USING A VTVM HAVING 10 MEG OHM INPUT RESISTANCE.
  - 5 - SIGNAL VOLTAGES MEASURED WITH AC VTVM.

- CIRCUIT CONDITIONS -
- 1 - REPRODUCE & ERASE HEADS DISCONNECTED - 220 OHM RESISTOR CONNECTED ACROSS TERMINALS A & B OF J 109 IN PLACE OF RECORD HEAD.
  - 2 - BIAS OSCILLATOR INPUT DISCONNECTED.
  - 3 - 500 CPS INPUT.
  - 4 - REPRODUCE LEVEL CONTROL SET SO, THAT 0 DB AT TP 102 PRODUCES +8 DBM OUTPUT.
  - 5 - RECORD LEVEL CONTROL SET FULLY CLOCKWISE.
  - 6 - EQUALIZATION - 15 IPS NAB.
  - 7 - ELECTRONICS IN RECORD MODE.

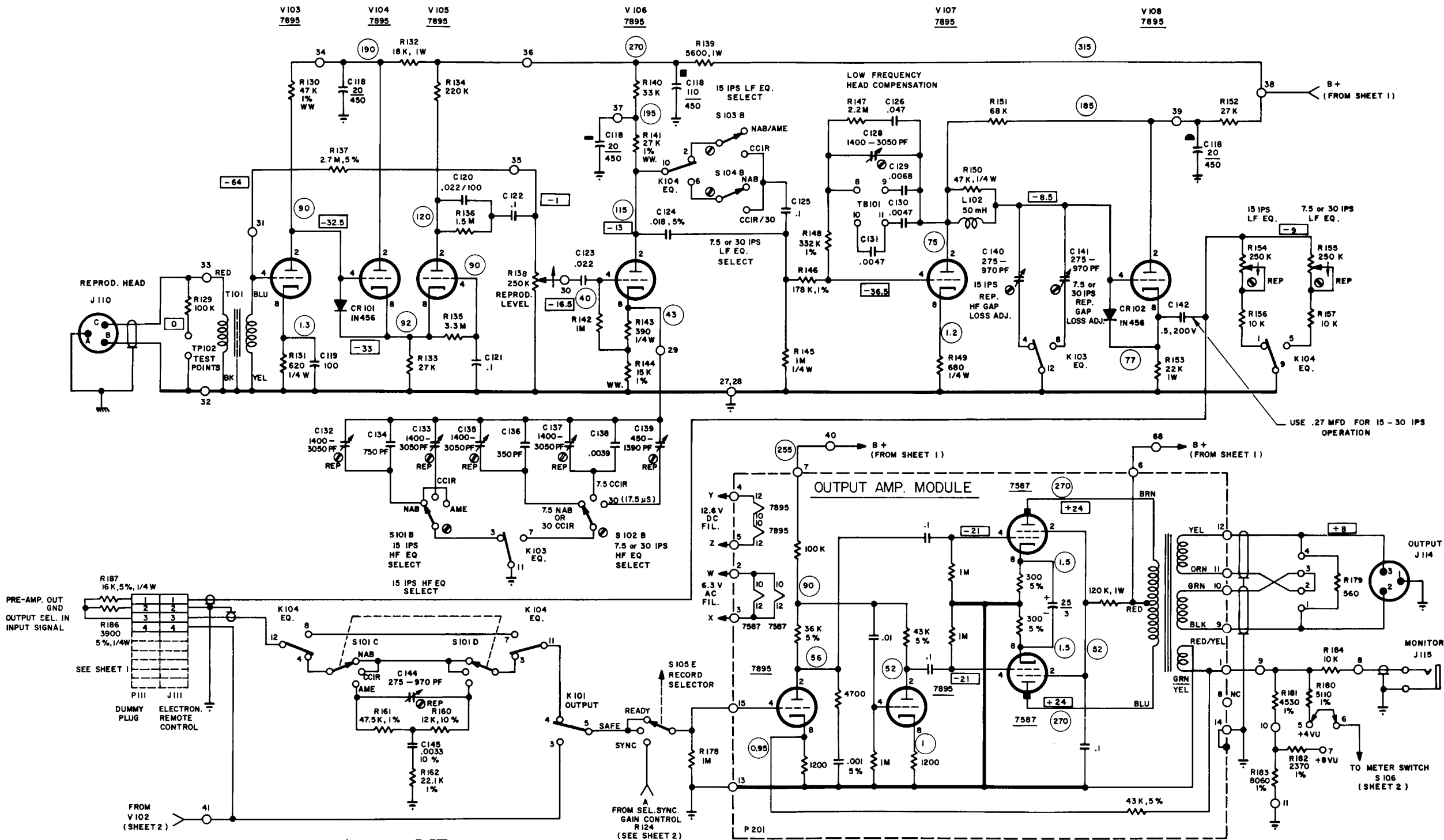
### Ampex MR-70

Fig. 7-4. Schematic Diagram—Electronics, Power Supply



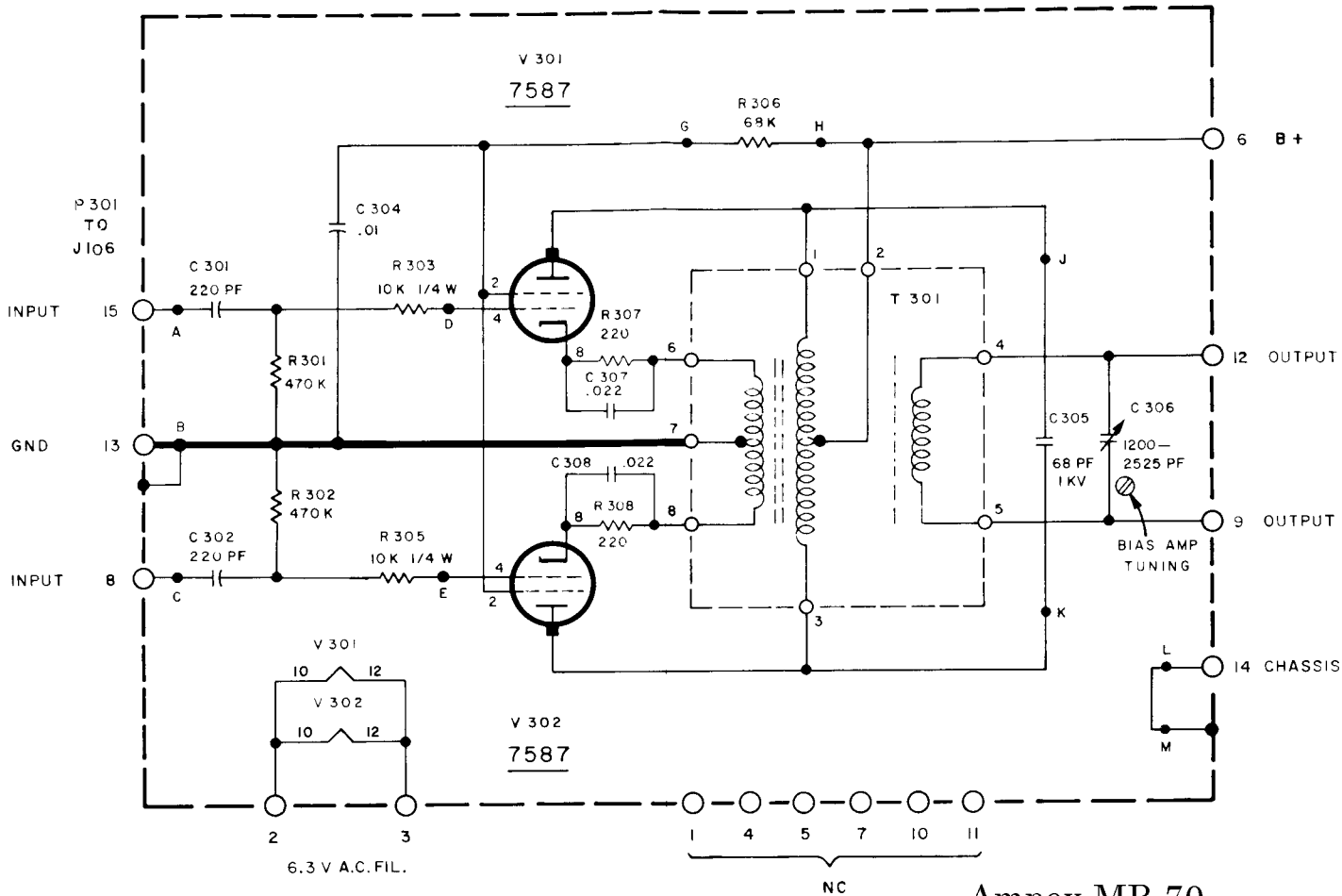
Ampex MR-70

Fig. 7-5. Schematic Diagram —Electronics, Record Section



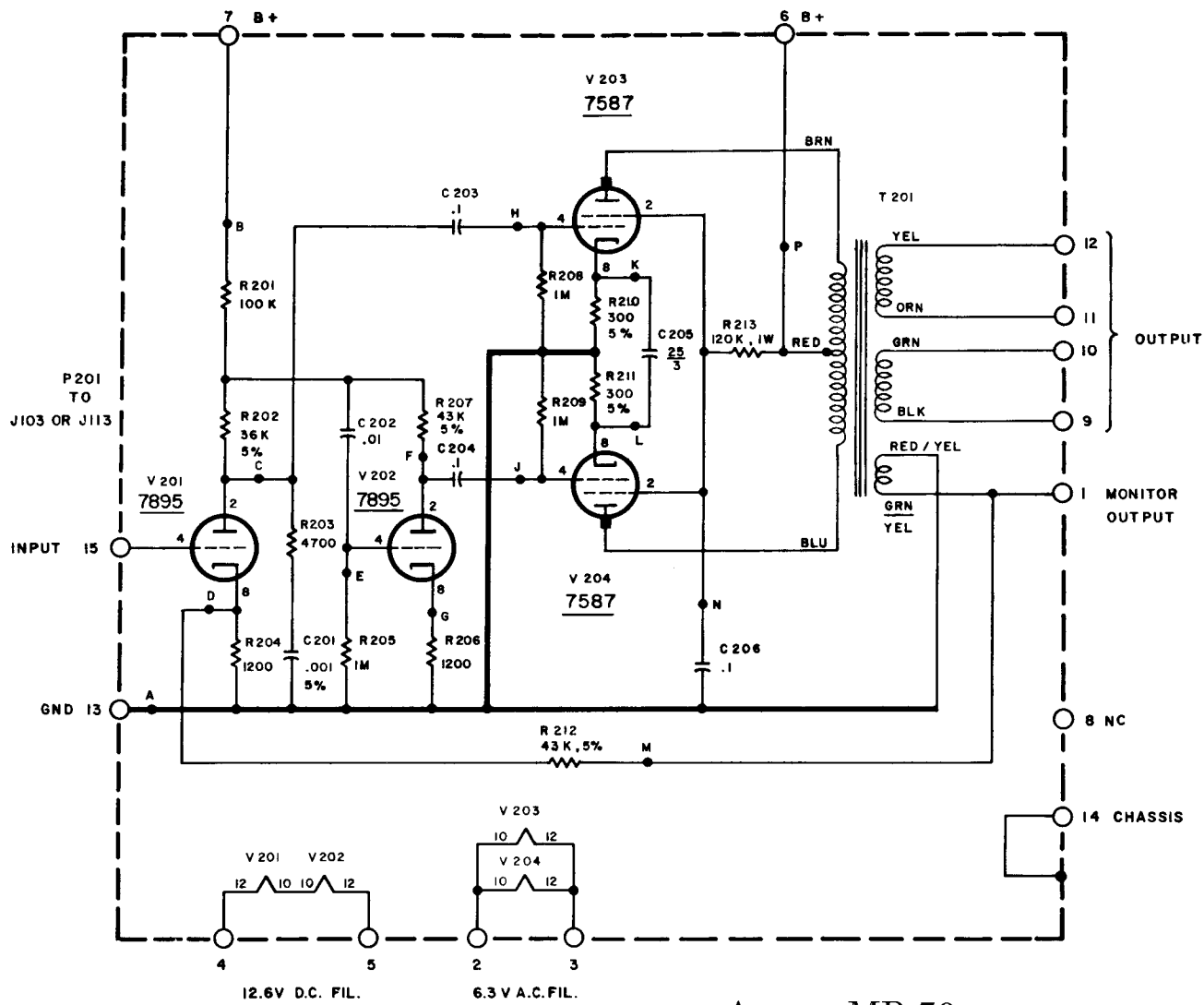
Ampex MR-70

Fig. 7-6. Schematic Diagram—Electronics, Reproduce Section



Ampex MR-70

Fig. 7-8. Schematic Diagram—Bias Amplifier Module



Ampex MR-70

Fig. 7-9. Schematic Diagram—Output Amplifier Module